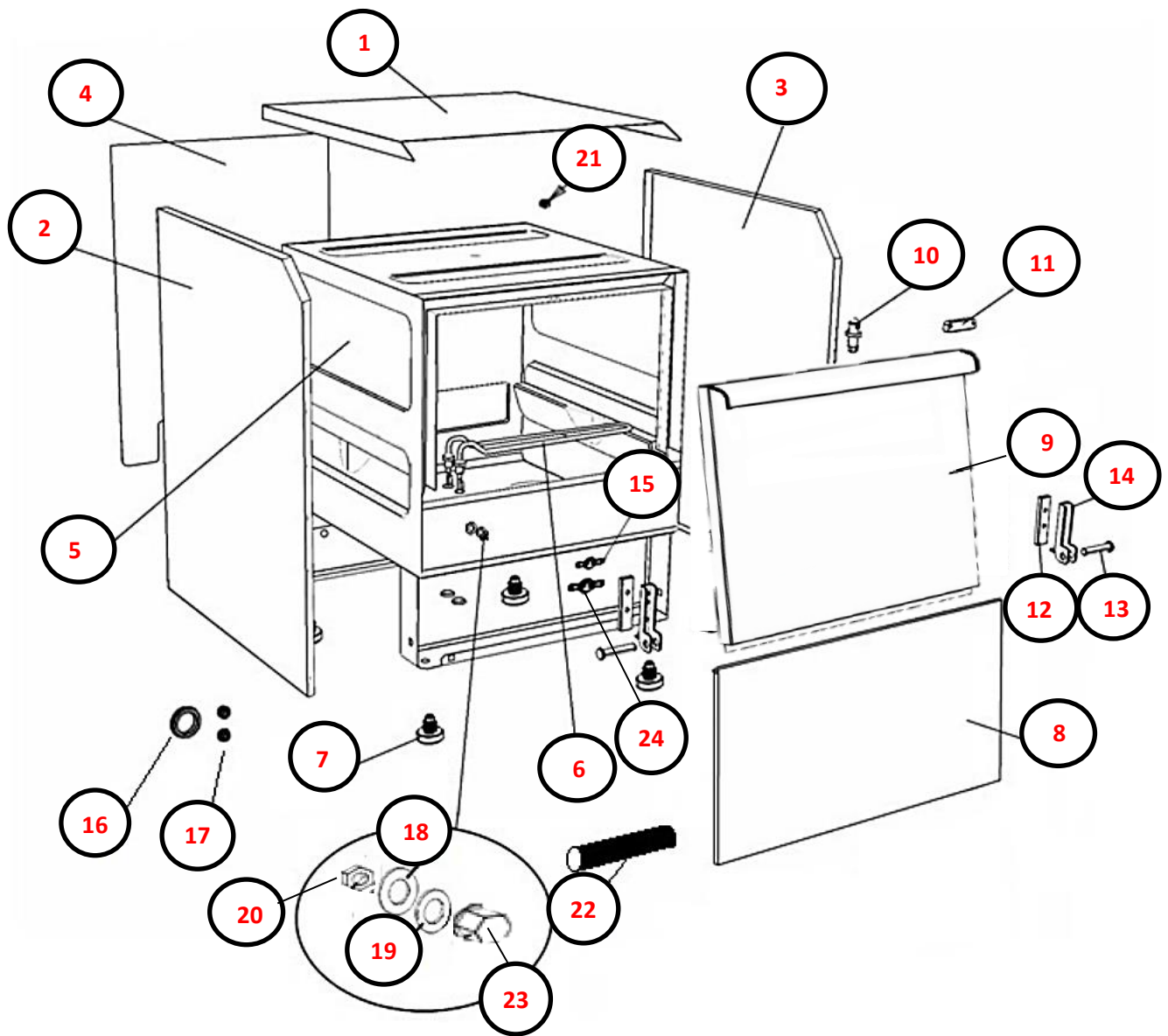


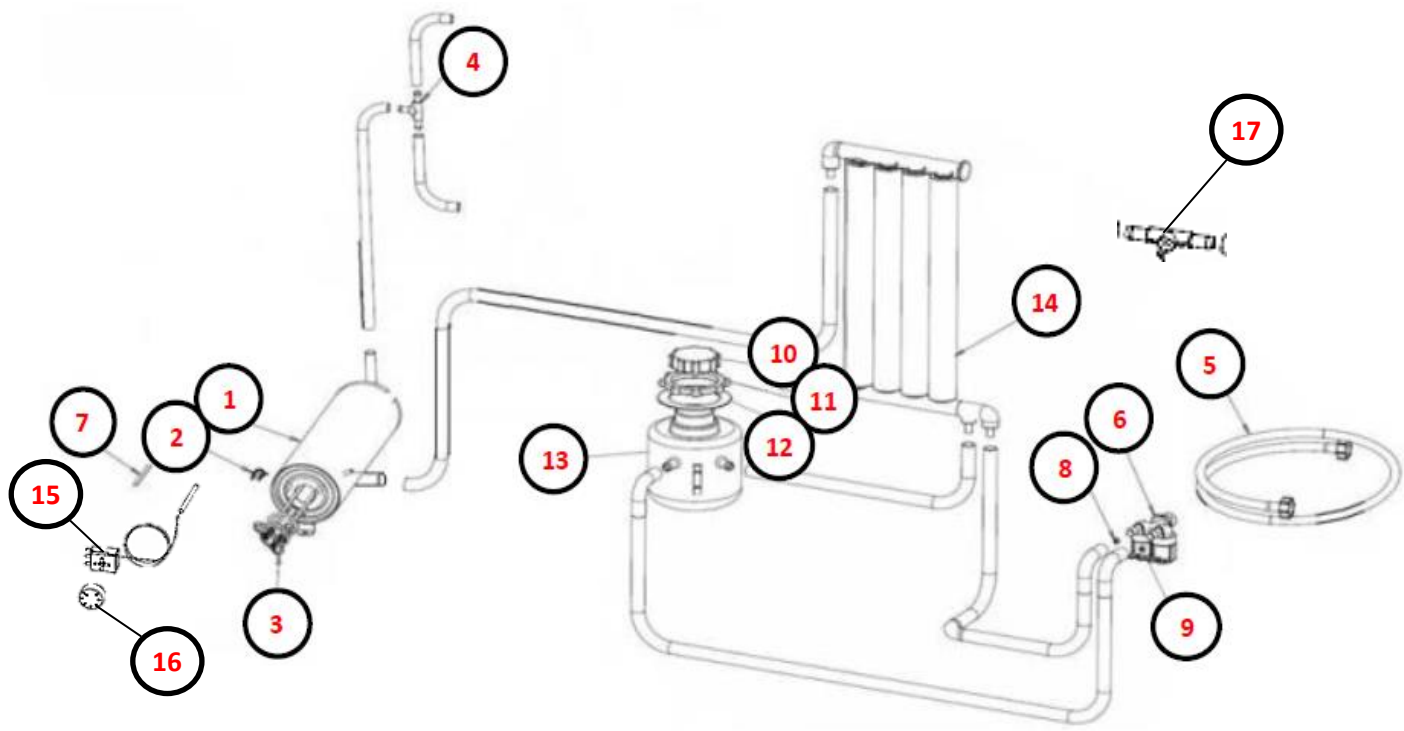
POS	CODE	DESCRIPTION	DESCRIPTION	QTA
1	P1 (2)	PANNELLERIA	FRAME	1
2	P2	RISCIACQUO	RINSE	1
3	P3	LAVAGGIO	WASH	1
4	P4	GIRANTI	ARMS	1
5	P5	CABLAGGIO	WIRING	1
6	P6 (2)	DOSATORE	CHEMICAL PUMP	1



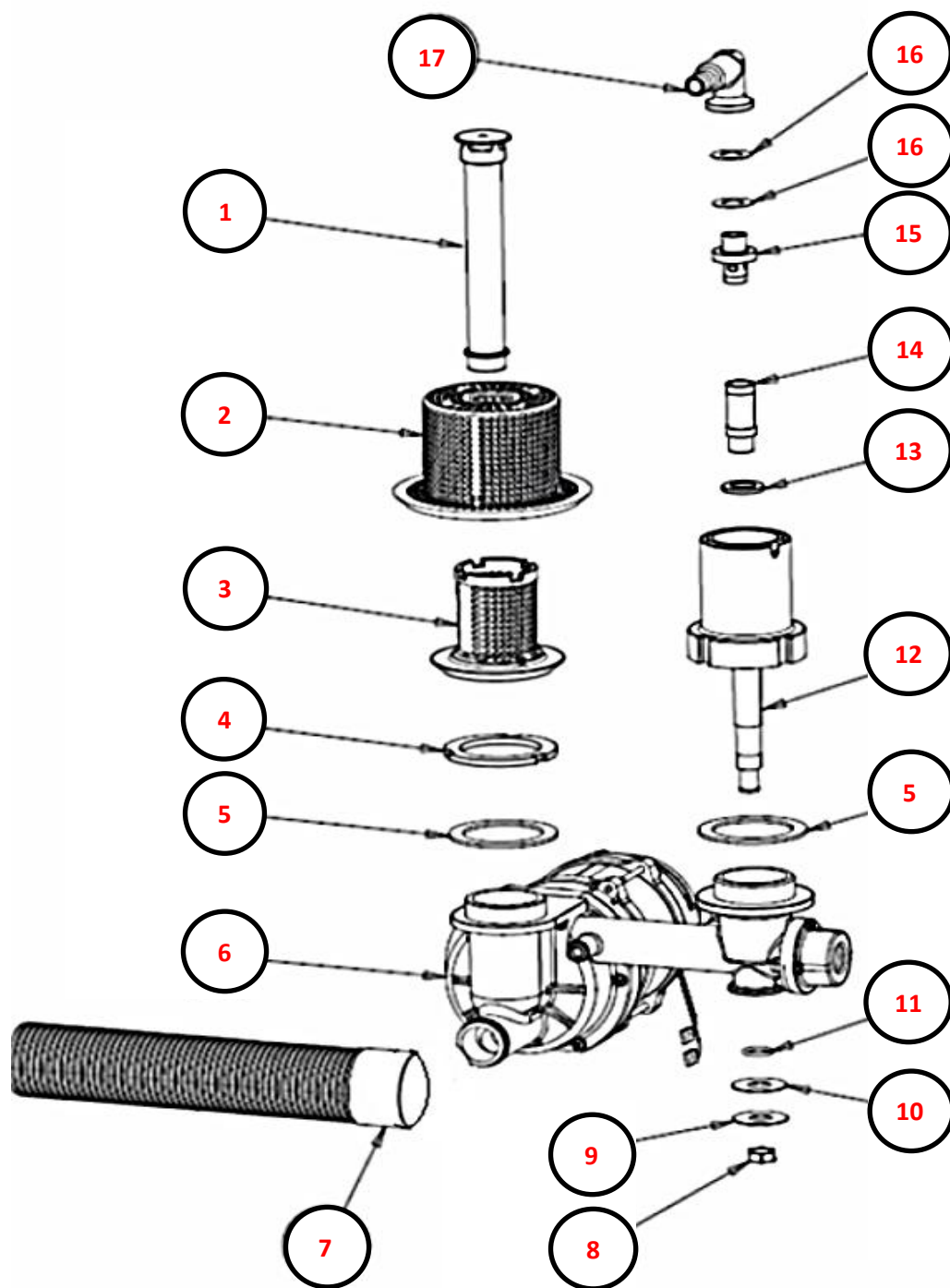
POS	CODE	DESCRIZIONE	DESCRIPTION	NR
1	902155	PANN. SUP. S28-S030 IMPERIAL	UPPER PANEL S28-S030 IMPERIAL	1
2	902152	PANN. LAT.S28-S030 DX IMPERIAL	RIGHT-SIDE PANEL S28-S030 IMPERIAL	1
3	902153	PANN. LAT. S28-S030 SX IMPERIAL	LEFT-SIDE PANEL S28-S030 IMPERIAL	1
4	902154	PANN. POST. S28-S030 IMPERIAL	BACK PANEL S28-S030 IMPERIAL	1
5	901859	VASCA + BAS. S28A	TANK + BASEMENT S28A	1
6	905771	RESIST. VASCA 1.6KW 230V	TANK HEATING ELEMENT 1.6KW 230V	1
7	905000	PIEDINO LAVAGGIO PVC NEW	FEET, WASH PVC NEW	4
8	902423	PANNELLO INFERIORE S28-S30 IMPERIAL	LOWER PANEL S28-S30 IMPERIAL	1
9	905090	PORTA S28-S030 CON M.I 8/10	DOOR WITH STAINLESS-STEEL HANDLE 8/10 S28-S030	1
10	906121	SCROCCHETTO CON ROTELLA + DADO	LATCH WITH WHEEL + NUT	1
11	903651	MAGNETE + CUSTODIA FRONTALI	MAGNET + CONTAINER DISHWASHER	1
12	909920	RINFORZO PORTA FILETTATO	THREADED SUPPORT PLATE FOR DOOR	2
13	904795	PERNO PORTA	DOOR PIVOT	2
14	901245	CERNIERA PORTA SERIE S-N-E	DOOR HINGE MODEL S-N-E	2
15	907244	TERMOSTATO VASCA 55° PASTIGLIA	TANK THERMOSTAT 55° PADDLE	1
16	904721	PASSACAVO TUBO SCARICO LAVAGGIO	CABLE BUSHING DRAIN HOSE	1
17	904723	PASSACAVO TUBO BRILL./DET.	CABLE BUSHING RINSE PRODUCT/DETERGENT HOSE	2
18	903253	GUARN. RACC. DOS/SFIATO PS	GASKET DOSING UNIT/AIR VENT JUNCTION	1
19	906010	RONDELLA Ø5 P.	WASHER Ø5 P.	1
20	902030	DADO ATB 5	NUT ATB 5	1
21	902132	GHIERA FISSAGGIO PANNELLO SUPERIORE	FASTENING FERRULE, UPPER PANEL	2
22	904958	PROT. RESISTENZA VASCA IN SILICONE	TANK-HEATING ELEMENT PROTECTION SILICONE	1
23	906708	RACC. INOX ENTR. DETERSIVO VASCA ANT.	STAINLESS-STEEL FRONT INLET CONNECTION FOR DETERGENT IN TANK	1
24	907126	TERMOSTATO VASCA 42° PASTIGLIA	TANK THERMOSTAT 42° PADDLE	1







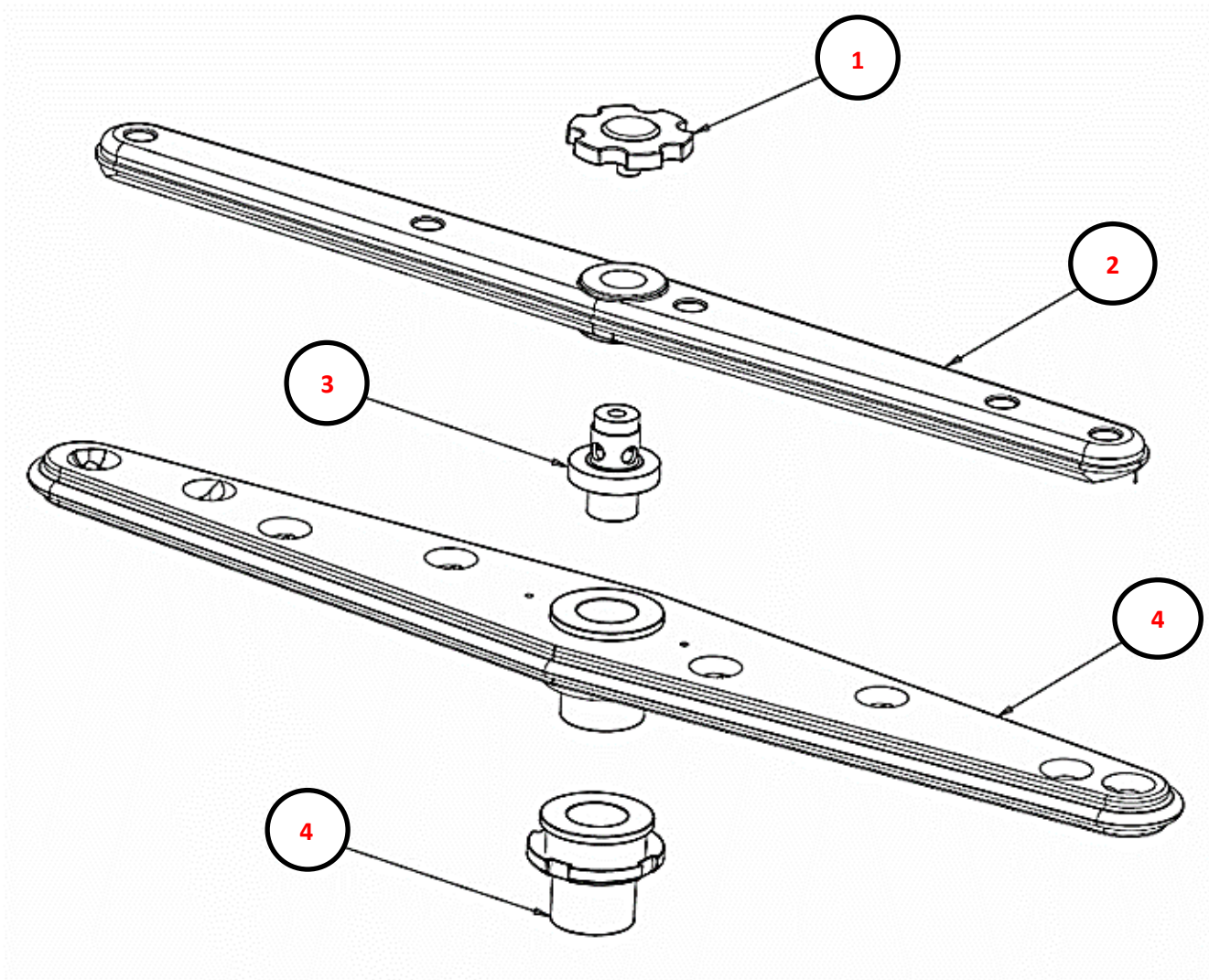




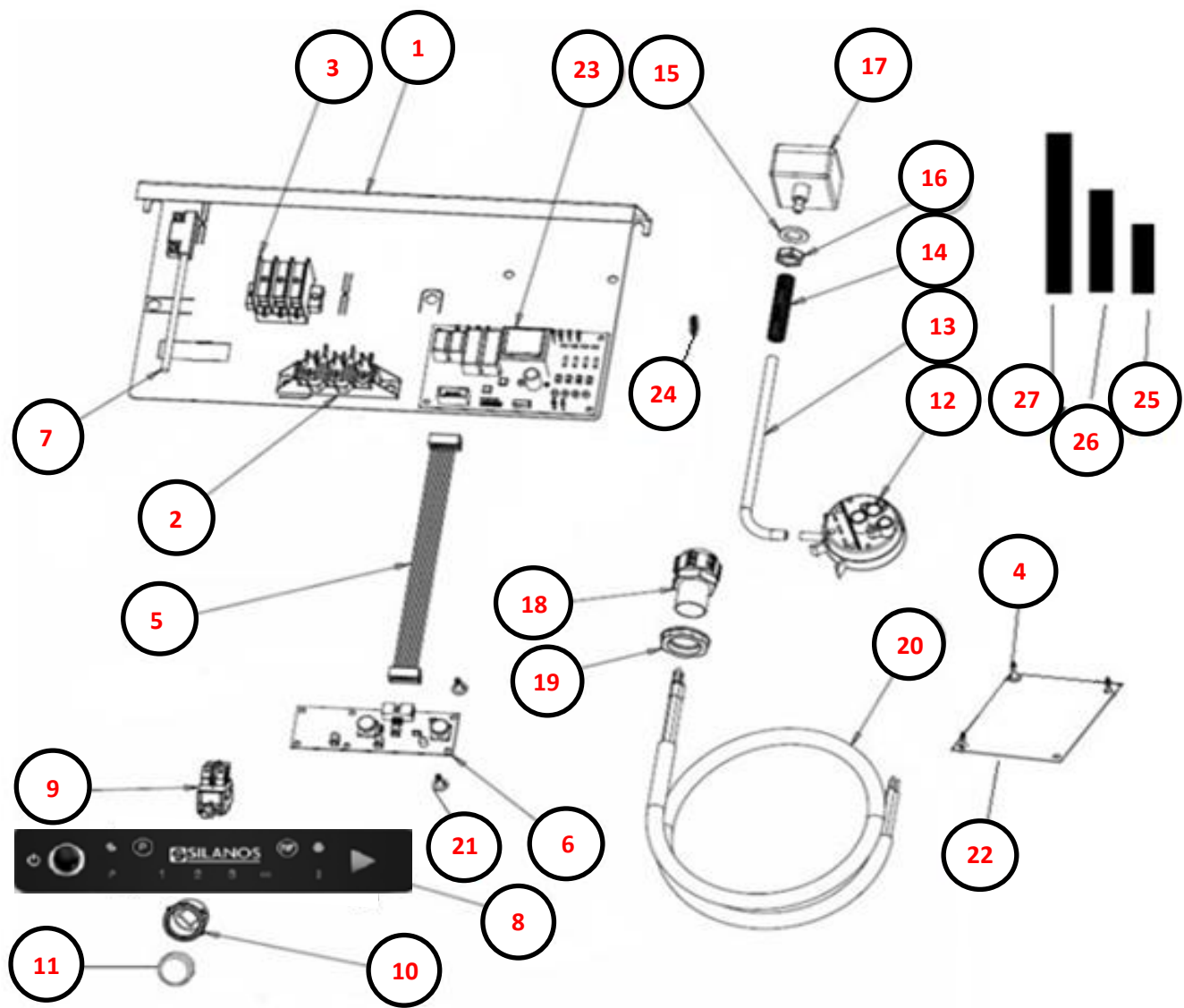
POS	CODE	DESCRIZIONE	DESCRIPTION	NR
1	902880	GHIERA FERMO GIRANTI	STOP FERRULE, ARMS	2
2	903030	GIRANTE RISC. INOX 2 "2013"	STAINLESS-STEEL RINSE ARM 2 2013	2
3	908771	PERNO GIRANTE RISC. PIATTA PPL E INOX	PIVOT FLAT RINSE ARM (POLYPROPYLENE AND STAINLESS STEEL)	2
4	903105	GIRANTE LAV. 2 CON MOZZO	WASH ARM 2 WITH HUB	1







POS	CODE	DESCRIZIONE	DESCRIPTION	NR
1	902156	RETROTARGA CON PIASTRA S28-S030 DIGIT 2 IMPERIAL	BACK PLATE WITH PLATE S28-S030 DIGIT2 IMPERIAL	1
2	904140	MORSETTIERA 3 POLI	TERMINAL BOX 3 POLES	1
3	904162	MORSETTO BIPOLARE CON SPALLA	2-POLE CLAMP WITH BRACKET	1
4	902193	DISTANZIALE TIMER ELETTRONICO	ELECTRONIC TIMER SPACER	1
5	907397	FLAT SCHEDE DIGIT2 ELCA L=400MM	FLAT DIGIT2 BOARD ELCA L=400MM	1
6	907395	SCHEDE DIGIT2 FRONTALE ELCA	FRONT BOARD DIGIT2	1
7	909290	REED MAGNETICO LAVASTOVIGLIE	MAGNETIC REED WAREWASHER	1
8	900160	TARGA DIGIT2 SILANOS	PLATE DIGIT2 SILANOS	1
9	905314	INTERRUTTORE/DEVIATORE 6 FASTON INCLIN.	SWITCH/DIVERTER 6 INCLINED FASTONS	1
10	905341	SUPP. PULS. TONDO Ø25 ARG.	ROUND-BUTTON SUPPORT Ø25 SILVER	1
11	905330	TASTO TONDO Ø25 BLU LUCIDO	ROUND BUTTON Ø25 GLOSSY BLUE	1
12	905270	PRESSOSTATO 20/40	PRESSURE SWITCH 20/40	1
13	907279	TUBO SILICONE 4X7	SILICONE HOSE 4X7	2
14	904131	MOLLA PROTEZIONE TUBETTO	SPRING PROTECTING TUBE	2
15	903263	GUARN. M12 TR.ARIA	GASKET M12 AIR TRAP	1
16	902038	DADO M12 PPL	NUT M12 PPL	1
17	905266	TRAPPOLA ARIA 45MM GRIGIO NEW	AIR TRAP 45MM GREY NEW	1
18	902683	PRESSACAVO PG16	CABLE GLAD PG16	1
19	902677	GHIERA PRESSACAVO PG16	FERRULE CAGLE GLAND PG16	1
20	908130	CAVO ALIMENTAZ. 3X2.5X3000 SPINA SCUKO	POWER-SOURCE CABLE 3X2.5X3000 SHUKO PLUG	1
21	909429	DISTANZIALE SCHEDE FRONTALE H=11MM	FRONT BOARD SPACER H=11MM	4
22	902300	ISOLATORE SCHEDE BASE DIGIT2 ELCA 123x81	BASE-BOARD ISOLATOR DIGIT2 ELCA 123X81	1
23	907392	SCHEDE DIGIT2 BASE ELCA 5 RELE	BASE BOARD DIGIT2 5 RELAY	1
24	902425	FASCETTA BIFILARE A MOLLA 7.8X8.3	TWO-WIRE SPRING CLAMP 7.8X8.3	1
25	900803	CONNETTORE STOCKO 3 POLI SCHEDE ELCA	3-POLE CONNECTOR STOCKO ELCA BOARD	1
26	900805	CONNETTORE STOCKO 5 POLI SCHEDE ELCA	5-POLE CONNECTOR STOCKO ELCA BOARD	1
27	900807	CONNETTORE STOCKO 7 POLI SCHEDE ELCA	7-POLE CONNECTOR STOCKO ELCA BOARD	1



POS	CODE	DESCRIZIONE	DESCRIPTION	NR
1	906620	PESO TUBETTO DET./BRILL.	WEIGHT RINSE PRODUCT/ETERGENT HOSE	1
2	907278	TUBO CRYSTAL ROSSO 4X6	TRASPARENT-RED HOSE 4X6	1
3	902046	TUBO CRYSTAL TRASP. 4X6	TRASPARENT HOSE 4X6	1
4	907279	TUBO SILICONE 4X7	SILICONE HOSE 4X7	1
5	902062	DOSATORE BRILL. PERIST. SEKO TEMPORIZZATO	PERISTALTIC RINSE-PRODUCT PUMP WITH REGULATOR	1
6	902052	DOSATORE DETERS. PERIST. SEKO	PERISTALTIC DETERGENT PUMP	1
7	952820	SUPP. DOS. PERISTALTICO DOPPIO	DOUBLE PERISTALTIC DOSING PUMP SUPPORT	1
8	906708	RACC. INOX ENTR. DETERSIVO VASCA ANT.	STAINLESS-STEEL FRONT INLET CONNECTION FOR DETERGENT IN TANK	1
9	903253	GUARN. RACC. DOS/SFIATO PS	GASKET DOSING UNIT/AIR VENT JUNCTION	1
10	906010	RONDELLA Ø5 P.	WASHER Ø5 P.	1
11	902030	DADO ATB 5	NUT ATB 5	1
12	902569	FILTRO DOSATORE	DOSING UNIT FILTER	2

